

Figure 4 — View of the actual insulator as designed.

*Make your own antenna center insulator that is even better than what you can buy.*

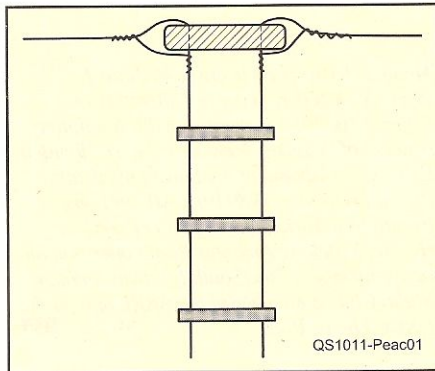


Figure 1 — The usual desired configuration of open wire or window line on the typical insulator. Note that in this position both line conductors are equally stressed.

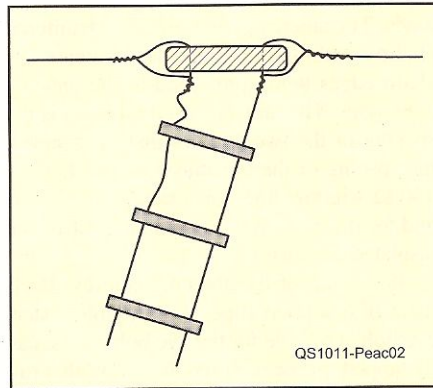


Figure 2 — What really happens as the antenna and line move in the wind. The conductors are subject to unbalanced stress and flexing.

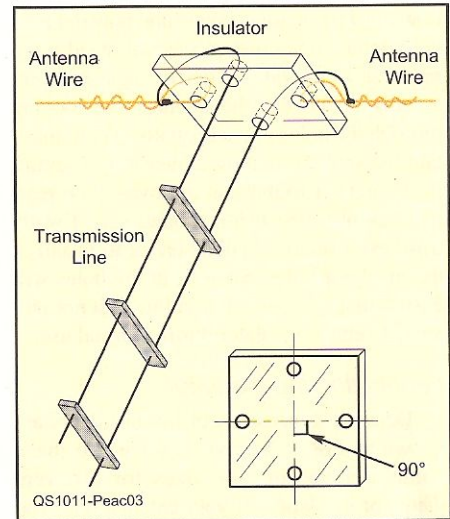


Figure 3 — Making the line attachment perpendicular to the wire access tends to equalize the stress.